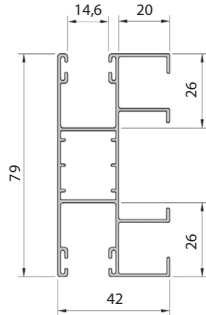


We would like to inform you that since October 01, 2019, new **PPD 79/ODS/20** guide channel have been introduced to our offer.

PPD 79/ODS/20

NEW



Double guide channel with offset

Packing: pcs. x m

PPD79/ODS/20/G/x • with rubber seal for the shutter box end caps and end caps with pin type I and for profiles: PT 37, PA 37, PA 39, PA 40, PA 43, PA 45, PE 41

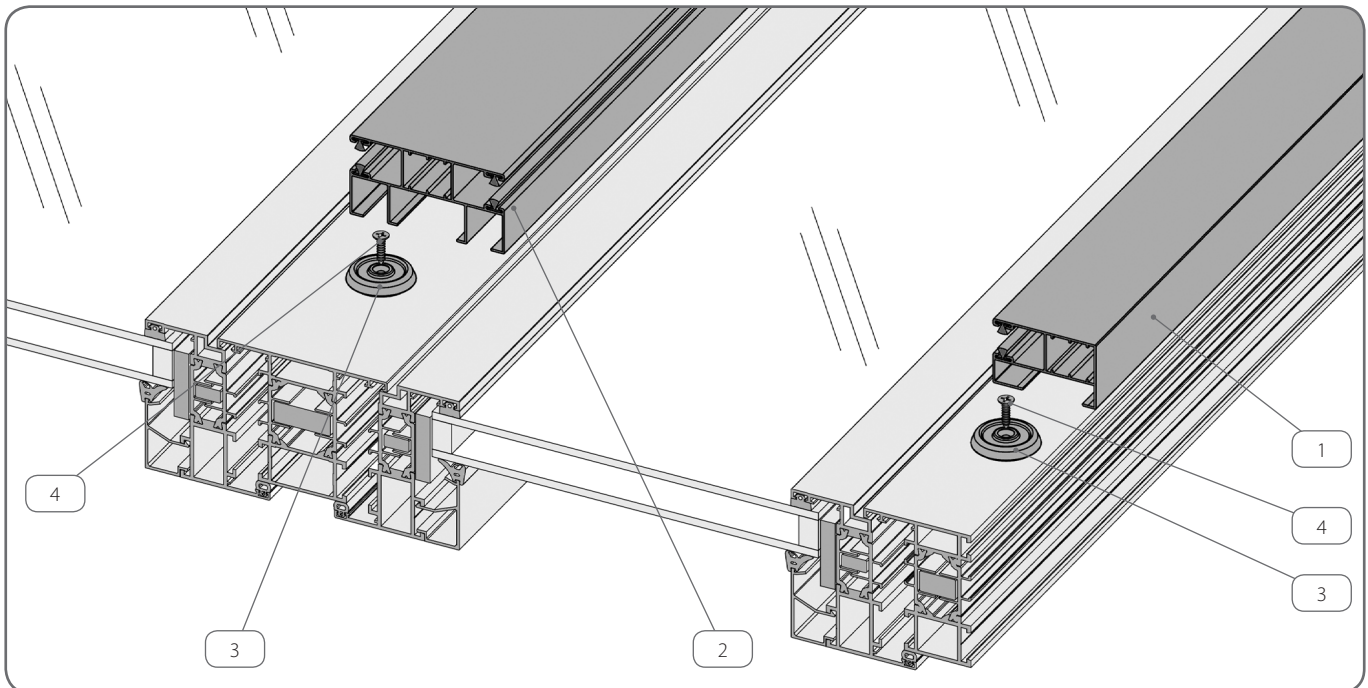
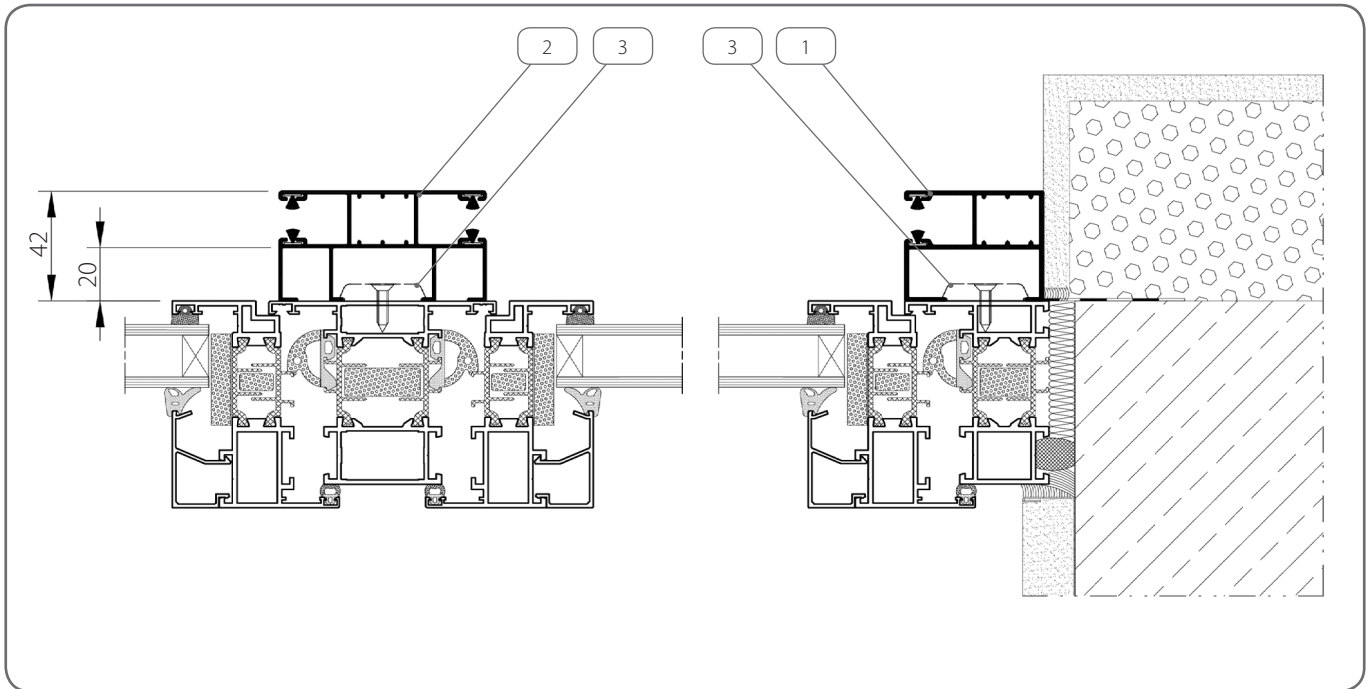


PPD79/ODS/20/S/x • with brush seal for the shutter box end caps and end caps with pin type I and for profiles: PT 37, PA 37, PA 39, PA 40, PA 43, PA 45, PE 41



x	Colour	
00	mill finish	5x6
02	white	5x6
08	dark brown	5x6
09	brown	5x6
23	anthracite grey	5x6





	Name of the component	Catalogue code
1.	Guide channel with offset	PP 53/ODS/20
2.	Double guide channel with offset	PPD 79/ODS/20
3.	Latch plate	PZO
4.	Galvanized screw 3,9 x 16 mm	WKR/Zn/S/3,9x16